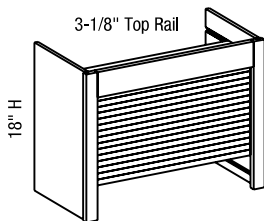


**AG/CSAG - Appliance Garage**

EXP	FL	FUE	SS	PFD	EXT	FT	SBR	LE	TSS	OS	NSH	WS	MI	DT	NB
✓	✓	✓			✓								✓		



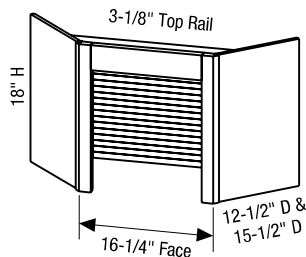
Custom Size Ranges  
 Width: 24" & 30" only  
 Height: 18"  
 Depth: 5-1/2" – 27"

- Sliding tambour door is standard. Hinged butt doors are optional.
- Hard Maple and Soft Maple cabinets will have a Hard Maple tambour door.
- AG not available in Red Oak.

Cabinet Code	
AG2418	
AG3018	

**CAG/CSCAG - Corner Appliance Garage**

EXP	FL	FUE	SS	PFD	EXT	FT	SBR	LE	TSS	OS	NSH	WS	MI	DT	NB
✓	✓	✓											✓		



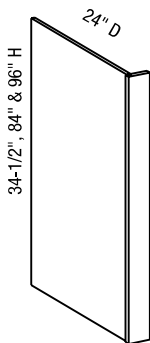
Custom Size Ranges  
 Width: 24" & 27" only  
 Height: 18"  
 Depth: 24" & 27" only

- Sliding tambour door is standard. Hinged door is optional.
- Hard Maple and Soft Maple cabinets will have a Hard Maple tambour door.
- CAG not available in Red Oak.

Cabinet Code	
CAG2418	
CAG2718	

**DWEP/REP/CSEP - Dishwasher/Refrigerator End Panel**

EXP	FL	FUE	SS	PFD	EXT	FT	SBR	LE	TSS	OS	NSH	WS	MI	DT	NB
STD	✓			✓									STD		



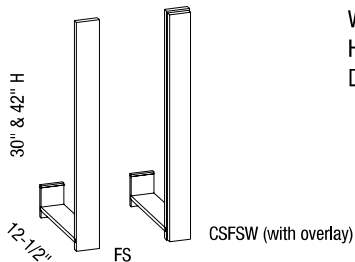
Custom Size Ranges  
 Width: 1-1/2" & 3"  
 Height: 12" – 120"  
 Depth: 5-1/2" – 30"

- 1-1/2" or 3" stile.
- Matching specie veneer standard on both sides, except when height exceeds 96-1/16" up to 120", where Natural Birch UV will be used.

Cabinet Code	
DWEP2434.5	REP2496
REP2484	REP2796
REP2784	

**Options Key:** EXP = Exposed End(s) FL = Flush End(s) FUE = Flush Unexposed End(s) SS = Shaped Side PFD = Prep for False Door  
 EXT = Extended Stile(s) FT = Flush Toe SBR = Shaped Bottom Rail LE = Leg Extension TSS = Toe Space Side OS = Omit Shelving  
 NSH = No Shelf Holes WS = Solid Wood Shelves MI = Matching Interior DT = Dust Top NB = Natural Finished Bottom

**FS/CSFSW - Filler Strip (Wall)**

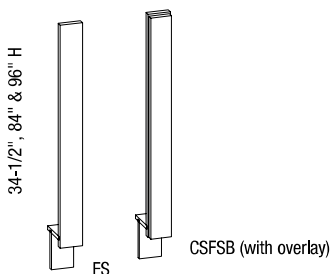


Custom Size Ranges  
 Width: 3" – 6"  
 Height: 12" – 72"  
 Depth: 5-1/2" – 27"

- Solid wood front strip.
- One piece overlays are available with 1-1/4" and 1-3/8" overlay.
- Overlay will have a Machine Edge on one long side and matching door edge on three sides.
- If overlay is required, order a CSFSW (Custom Size Filler Strip Wall).

Cabinet Code	
FS0330	FS0342
FS0630	FS0642

**FS/CSFSB - Filler Strip (Base)**

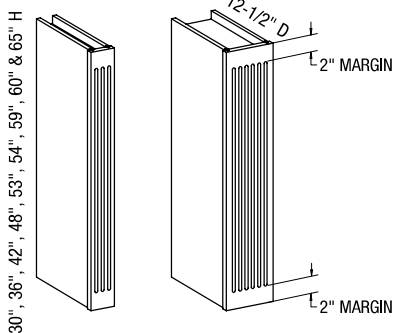


Custom Size Ranges  
 Width: 3" – 6"  
 Height: 31-1/2" – 96"  
 Depth: 4"

- Solid wood front strip.
- One piece overlays are available with 1-1/4" and 1-3/8" overlay.
- Overlay will have a Machine Edge on one long side and matching door edge on three sides.
- If overlay is required, order a CSFSB (Custom Size Filler Strip Base).

Cabinet Code	
FS0334.5	FS0684
FS0634.5	FS0396
FS0384	FS0696

**WFC/CSWFC - Wall Filler Columns**



Custom Size Ranges  
 Width: 3" & 6" only  
 Height: 12" – 65"  
 Depth: 5-1/2" – 30"

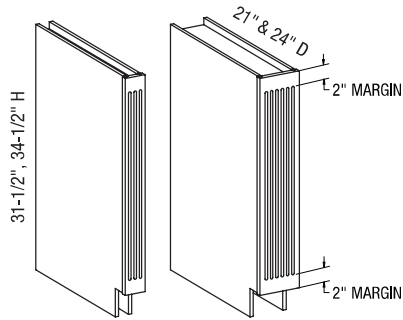
- Specify either tapered, rounded or no flutes.
- 3" columns have three flutes.
- 6" columns have six flutes.
- When filler columns are required for use with home office base cabinets, order a CSWFC 29-1/2" high.

EXP	FL	FUE	SS	PFD	EXT	FT	SBR	LE	TSS	OS	NSH	WS	MI	DT	NB
✓	✓	✓													✓

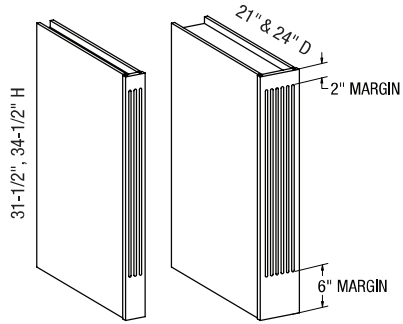
Cabinet Code	
WFC0330	WFC0653
WFC0630	WFC0354
WFC0336	WFC0654
WFC0636	WFC0359
WFC0342	WFC0659
WFC0642	WFC0360
WFC0348	WFC0660
WFC0648	WFC0365
WFC0353	WFC0665

**Options Key:** EXP = Exposed End(s) FL = Flush End(s) FUE = Flush Unexposed End(s) SS = Shaped Side PFD = Prep for False Door  
 EXT = Extended Stile(s) FT = Flush Toe SBR = Shaped Bottom Rail LE = Leg Extension TSS = Toe Space Side OS = Omit Shelving  
 NSH = No Shelf Holes WS = Solid Wood Shelves MI = Matching Interior DT = Dust Top NB = Natural Finished Bottom

**BFC/CSBFC - Base Filler Columns**



Standard Toe



Flush Toe

EXP	FL	FUE	SS	PFD	EXT	FT	SBR	LE	TSS	OS	NSH	WS	MI	DT	NB
✓	✓	✓				✓									

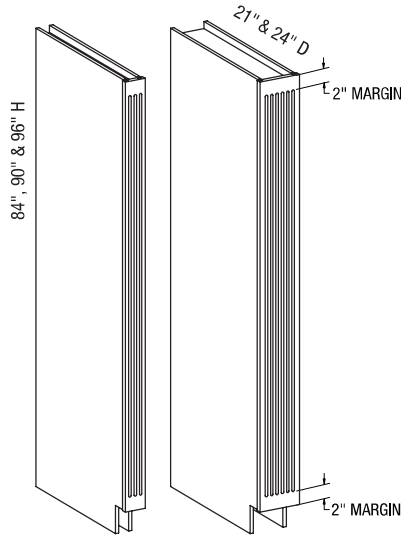
Custom Size Ranges  
 Width: 3" & 6" only  
 Height: 31-1/2" – 96"  
 Depth: 5-1/2" – 30"

- Specify either tapered, rounded or no flutes.
- 3" columns have three flutes.
- 6" columns have six flutes.

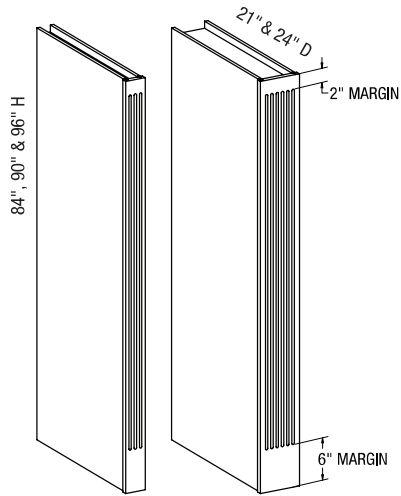
Cabinet Code	
BFC0331.5	BFC0334.5
BFC0631.5	BFC0634.5

**Options Key:** EXP = Exposed End(s) FL = Flush End(s) FUE = Flush Unexposed End(s) SS = Shaped Side PFD = Prep for False Door  
 EXT = Extended Stile(s) FT = Flush Toe SBR = Shaped Bottom Rail LE = Leg Extension TSS = Toe Space Side OS = Omit Shelving  
 NSH = No Shelf Holes WS = Solid Wood Shelves MI = Matching Interior DT = Dust Top NB = Natural Finished Bottom

TFC/CSBFC - Tall Filler Columns



Standard Toe



Flush Toe

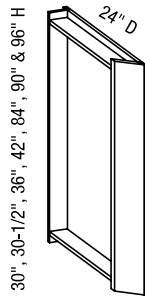
EXP	FL	FUE	SS	PFD	EXT	FT	SBR	LE	TSS	OS	NSH	WS	MI	DT	NB
✓	✓	✓				✓									

Custom Size Ranges  
 Width: 3" & 6" only  
 Height: 31-1/2" – 96"  
 Depth: 5-1/2" – 30"

- Specify either tapered, rounded or no flutes.
- 3" columns have three flutes.
- 6" columns have six flutes.

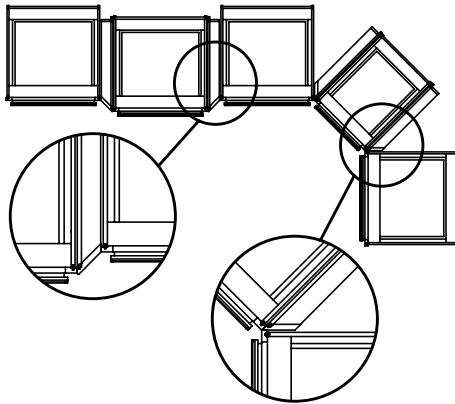
Cabinet Code	
TFC0384	TFC0690
TFC0684	TFC0396
TFC0390	TFC0696

**Options Key:** EXP = Exposed End(s) FL = Flush End(s) FUE = Flush Unexposed End(s) SS = Shaped Side PFD = Prep for False Door  
 EXT = Extended Stile(s) FT = Flush Toe SBR = Shaped Bottom Rail LE = Leg Extension TSS = Toe Space Side OS = Omit Shelving  
 NSH = No Shelf Holes WS = Solid Wood Shelves MI = Matching Interior DT = Dust Top NB = Natural Finished Bottom

**ZAFL(R) CSZAFL(R) - Zero Angle Filler Left (or Right)**

Custom Size Ranges  
 Width: 3" fixed  
 Height: 12" – 120"  
 Depth: 12-1/2" – 24"

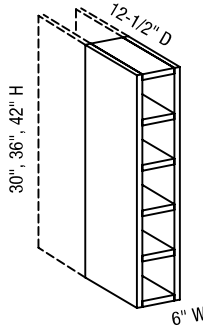
- Designed to turn 135° corners with standard cabinets or to facilitate break front designs.
- No toe kick; use 30-1/2" high unit for standard base applications with toe kicks or specify CS unit at 34-1/2" high when flush toe is required.
- Non-fluted face is standard; 3 flutes spaced evenly on angled face are optional. Specify tapered or rounded flutes. If not specified, flutes will be produced using the tapered design.
- Flute spacing is fixed, no option:
  - ZAF heights 30" – 42" have 2" spacing top and bottom.
  - ZAF heights 84" – 90" have 2" top spacing – specify 2" or 6" bottom spacing.

**Cabinet Code**

ZAFL0330	ZAFR0342
ZAFR0330	ZAFL0384
ZAFL0330.5	ZAFR0384
ZAFR0330.5	ZAFL0390
ZAFL0336	ZAFR0390
ZAFR0336	ZAFL0396
ZAFL0342	ZAFR0396

**WSU/CSWSUW - Wine Storage Unit**

EXP	FL	FUE	SS	PFD	EXT	FT	SBR	LE	TSS	OS	NSH	WS	MI	DT	NB
	STD												STD		



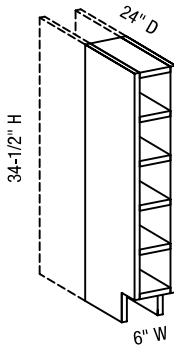
Custom Size Ranges  
 Width: 6" only  
 Height: 30", 36", 42"  
 Depth: 12-1/2" – 27"

- 3/4" matching specie plywood with dowel construction.
- Exposed edges are banded with matching specie veneer.
- Hard Maple plywood used for Hard and Soft Maple lines.
- 30" high has five openings.
- 36" high has six openings.
- 42" high has seven openings.
- 11-3/4" interior depth. When ordered deeper than 12-1/2" sides extend past back.

Cabinet Code	
WSU0630	WSU0642
WSU0636	

**WSUD/CSWSUB - Wine Storage Unit Deep**

EXP	FL	FUE	SS	PFD	EXT	FT	SBR	LE	TSS	OS	NSH	WS	MI	DT	NB
	STD												STD		



Custom Size Ranges  
 Width: 6" only  
 Height: 34-1/2" only  
 Depth: 12-1/2" – 30"

- 3/4" matching specie plywood with dowel construction.
- Exposed edges are banded with matching specie veneer.
- Hard Maple plywood used for Hard and Soft Maple lines.
- 11-3/4" interior depth. When ordered deeper than 12-1/2" sides extend past back.

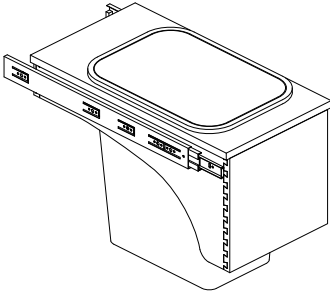
Cabinet Code
WSUD0634.5

**Options Key:** EXP = Exposed End(s) FL = Flush End(s) FUE = Flush Unexposed End(s) SS = Shaped Side PFD = Prep for False Door  
 EXT = Extended Stile(s) FT = Flush Toe SBR = Shaped Bottom Rail LE = Leg Extension TSS = Toe Space Side OS = Omit Shelving  
 NSH = No Shelf Holes WS = Solid Wood Shelves MI = Matching Interior DT = Dust Top NB = Natural Finished Bottom

## Trash Can Pull-Outs

- Designed to fit standard 24" deep Cabinet Systems cabinets.
- Available in Hard Maple and Natural Birch.
- 3/4" thick Hard Maple edgebanded plywood top.
- Front height is 10" to accommodate door mounting. Rear height is 3", depth is fixed at 21-3/4".
- Ball bearing full extension drawer slides are standard – no options.

### TCPs/CSTCPS - Trash Can Pull-Out Single



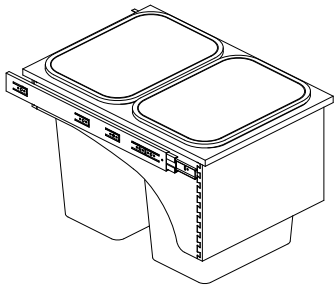
Custom Size Ranges  
Width: 15" – 21"  
Height: Min. opening 16"  
Depth: 24"

- Includes one 7-gallon, grey color waste can.
- Not available with inset applications.

#### Cabinet Code

TCPs1524	TCPs2124
TCPs1824	

### TCPD/CSTCPD - Trash Can Pull-Out Double



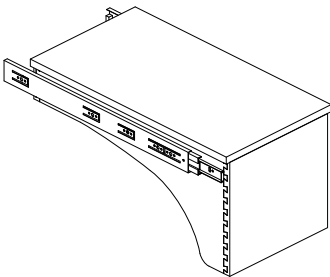
Custom Size Ranges  
Width: 21" – 30"  
Height: Min. opening 16"  
Depth: 24"

- Includes two 7-gallon, grey color waste can.
- Not available with inset applications.

#### Cabinet Code

TCPD2124	TCPD2724
TCPD2424	TCPD3024

### TCPN/CSTCPN - Trash Can Pull-Out No Cut-Out



Custom Size Ranges  
Width: 15" – 30"  
Height: Min. opening 16"  
Depth: 24"

- Does not include waste can.
- Plywood top is shipped loose.
- Not available with inset applications.

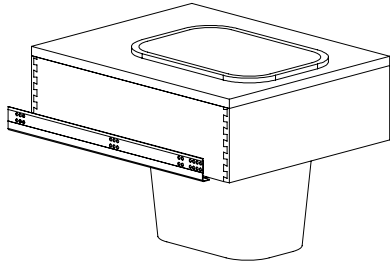
#### Cabinet Code

TCPN1524	TCPN2424
TCPN1824	TCPN2724
TCPN2124	TCPN3024

**Trash Can Pull-Outs**

- Designed to fit standard 24" deep Cabinet Systems cabinets.
- Natural Birch box and 3/4" thick Hard Maple edgebanded plywood top.
- Unit height is 6" to accommodate door mounting. Depth is fixed at 21-3/4".
- Blum TANDEM plus full extension drawer slides standard – no options.

**TCPTS/CSTCPTS - Trash Can Pull-Out TANDEM Single**

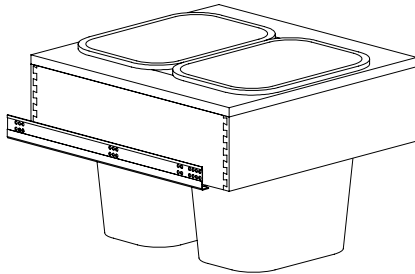


Custom Size Ranges  
 Width: 18" – 21"  
 Height: Min. opening 16"  
 Depth: 24"

- Includes one 7-gallon, grey color waste can.

Cabinet Code	
TCPTS1824	
TCPTS2124	

**TCPTD/CSTCPTD - Trash Can Pull-Out TANDEM Double**

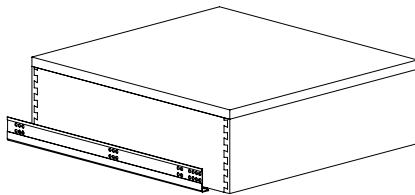


Custom Size Ranges  
 Width: 24" – 30"  
 Height: Min. opening 16"  
 Depth: 24"

- Includes two 7-gallon, grey color waste cans.

Cabinet Code	
TCPTD2424	TCPTD3024
TCPTD2724	

**TCPTN/CSTCPTN - Trash Can Pull-Out TANDEM No Cut-Out**



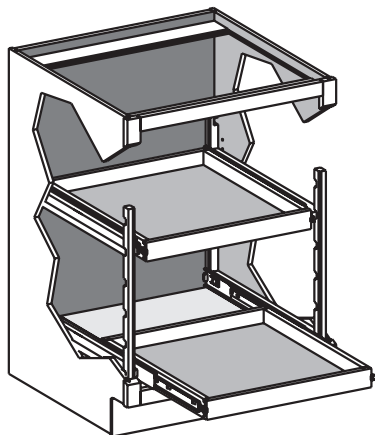
Custom Size Ranges  
 Width: 18" – 30"  
 Height: Min. opening 16"  
 Depth: 24"

- Does not include waste can.
- Plywood top is shipped loose.

Cabinet Code	
TCPTN1824	TCPTN2724
TCPTN2124	TCPTN3024
TCPTN2424	



**Pull-Out Trays**



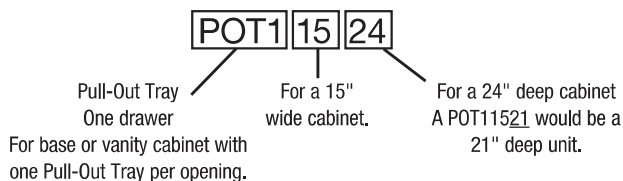
- Pull-Out Tray (POT) system includes corner cleats and dovetail trays.
- Provides tool-free location change of Pull-Out Trays.
- Adjustable pull-out system features unfinished Soft Maple installation components.
- Boxes are 2" high and available for 21" or 24" deep base, vanity or tall cabinets.
- All POT kits available sized for inset (1-1/2" less in drawer box width) to allow for door clearance with non-mortise hinges. Also can be used in cabinets adjacent to a wall or a tall cabinet where doors may not open fully for additional clearance. Add "1" to the end of the POT code for inset sizing. Example: POT21524-1.
- Pricing: per POT system.

**Pull-Out Trays - Product Code Descriptions**

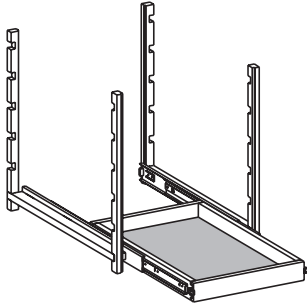
Code	Name	Description
POT1	Pull-Out Tray	For base or vanity cabinet with 1 Pull-Out Tray per opening
POT2	Pull-Out Tray	For base or vanity cabinet with 2 Pull-Out Trays per opening
POTT	Pull-Out Tray Tall	For tall cabinets with 4 Pull-Out Trays
POTS	Pull-Out Tray Single	Individual Pull-Out Tray: drawer cleats, slide, bumpers and one drawer box
BD	Butt Door Indicator	Codes ending in "BD" indicate Pull-Out Trays designed for use with butt door cabinets

On the Cabinet Systems Order Form, enter the desired Pull-Out Tray code number in the column "Conestoga Cabinet Code #". This Pull-Out Tray must match the width, depth and door configuration of the cabinet it is to be installed in.

Example of Pull-Out Tray code number:



**POT1/CSPOT1 - Pull-Out Trays**

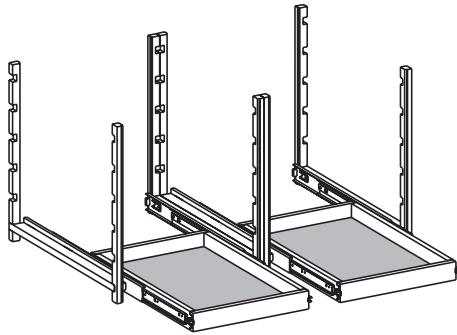


Custom Size Ranges  
 Width: 15" – 36"  
 Height: 34-1/2"  
 Depth: 21", 24"

- Corner cleats can be trimmed to size when used with a shelf.

24" Deep	24" Deep w/Butt Doors	21" Deep	21" Deep w/Butt Doors
POT11524	POT12724BD	POT11521	POT12721BD
POT11824	POT13024BD	POT11821	POT13021BD
POT12124	POT13324BD	POT12121	POT13621BD
POT12424	POT13624BD	POT12421	
	POT13924BD		
	POT14224BD		

**POT1/CSPOT1CS - Pull-Out Trays**

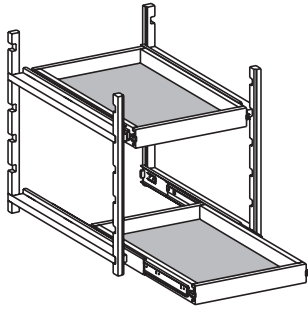


Custom Size Ranges  
 Width: 30" – 48"  
 Height: 34-1/2"  
 Depth: 21", 24"

- Corner cleats can be trimmed to size when used with a shelf.

24" Deep	21" Deep
POT13024	POT13021N
POT13324	POT13621N
POT13624	
POT13924	
POT14224	
POT14524	
POT14824	

**POT2/CSPOT2 - Pull-Out Trays**

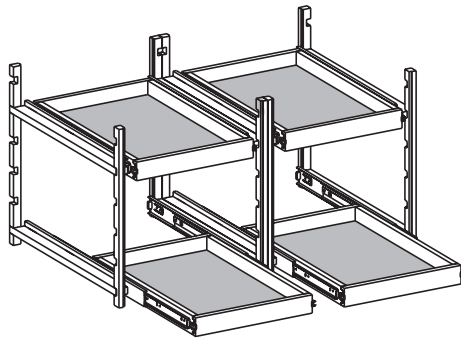


Custom Size Ranges  
Width: 15" – 36"  
Height: 34-1/2"  
Depth: 21", 24"

- Corner cleats can be trimmed to size when used with a shelf.

24" Deep	24" Deep w/Butt Doors	21" Deep	21" Deep w/Butt Doors
POT21524	POT22724BD	POT21521	POT22721BD
POT21824	POT23024BD	POT21821	POT23021BD
POT22124	POT23324BD	POT22121	POT23621BD
POT22424	POT23624BD	POT22421	
	POT23924BD		
	POT24224BD		

**POT2/CSPOT2CS - Pull-Out Trays**

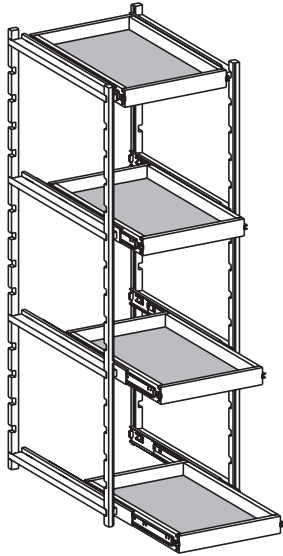


Custom Size Ranges  
Width: 30" – 48"  
Height: 34-1/2"  
Depth: 21", 24"

- Corner cleats can be trimmed to size when used with a shelf.

24" Deep	21" Deep
POT23024	POT23021
POT23324	POT23621
POT23624	
POT23924	
POT24224	
POT24524	
POT24824	

**POTT/CSPOTT - Pull-Out Trays Tall**

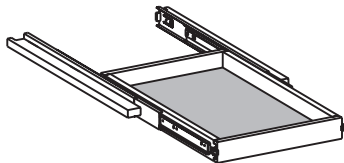


Custom Size Ranges  
 Width: 15" – 36"  
 Height: 84" – 96"  
 Depth: 21", 24"

- Corner cleats can be trimmed to size when used with a shelf.
- Unit fits larger section of 84", 90", or 96" high cabinets.

24" Deep	24" Deep w/Butt Doors	21" Deep
POTT1524	POTT2724BD	POTT1821
POTT1824	POTT3024BD	POTT2121
POTT2124	POTT3324BD	POTT2421
POTT2424	POTT3624BD	

**POTS/CSPOTS - Pull-Out Trays Single - Single Opening**

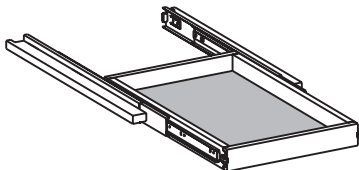


Custom Size Ranges  
 Width: 15" – 48"  
 Height: 34-1/2", 84", 90", 96"  
 Depth: 21", 24"

- No corner cleats included.
- Designed to be used when additional trays are needed within a POT system one opening wide.

24" Deep	24" Deep w/Butt Doors	21" Deep	21" Deep w/Butt Doors
POTS1524	POTS2724BD	POTS1521	POTS2721BD
POTS1824	POTS3024BD	POTS1821	POTS3021BD
POTS2124	POTS3324BD	POTS2121	POTS3621BD
POTS2424	POTS3624BD	POTS2421	

**POTS/CSPOTSCS - Pull-Out Trays Single - Double Opening**



Custom Size Ranges  
 Width: 30" – 48"  
 Height: 34-1/2", 84", 90", 96"  
 Depth: 21", 24"

- No corner cleats included.
- Designed to be used when additional trays are needed within a POT system two openings wide.

24" Deep	21" Deep
POTS3024	POTS3021
POTS3324	POTS3621
POTS3624	
POTS3924	
POTS4224	
POTS4524	
POTS4824	

**Moulding Pricing and Availability (All pricing per 8 ft. piece) – Crown Mouldings and Mounting Plates**

8' Moulding Name and Number	Size	8' Moulding Name and Number	Size
Crown 33*	1-9/16"	Frieze Reversible 345*	4-1/2"
Crown 6*	2-9/16"	Light Rail 361*	1-1/4"
Crown 619*	3-3/8"	Light Rail B11*	1-1/2"
Reverse Shaker Crown 1529*	3-5/8"	Light Rail 2380 w/ Mounting Plate	1-3/4"
Shaker Crown 1126 w/ Mounting Plate	3-5/8"	Light Rail 2578 w/ Mounting Plate	1-1/2" - 5-1/2"
Crown 2324	3-7/8"	Scribe 2316	5/8"
Crown 801* w/ Mounting Plate	3-9/16"	Scribe 1809	13/16"
Crown 1557	3-13/16"	Scribe 14*	1-1/4"
Crown 1524*	3-13/16"	Scribe 2317	4.00"
Crown 24*	4-5/16"	Batten 13	1-1/4"
Crown 342*	4-3/8"	Quarter Round 1329	3/4"
Crown 343*	4-3/8"	Shoe Moulding 583	3/4"
Crown 344*	4-3/8"	Inside Corner Cove 11	3/4"
Crown 1238*	4-5/8"	Outside Corner Cove 12	3/4"
Crown B10*	4-15/16"	Inset Parting Bead 2302	1.00"
Large Cove 2618	5-1/8"	Shiplap Moulding 2580	4-9/16", 5-9/16", 6-9/16"
Crown 1550	5-3/8"	Base 897	3-1/2"
Crown 2325*	5-1/2"	Colonial Base 10*	4-1/2"
Crown 2584	5-5/8"	Beaded Base 381*	4-1/2"
Crown Mounting Plate 384	1-3/4"	Base 898	5-1/2"
Crown Mounting Plate 470	1-3/4"	Colonial Casing 21	2-1/4"
		Beaded Panel B09	3-1/4"

\* Indicates availability in both 8' and 12' lengths - Cherry, Hard Maple and Paint Grade Hard Maple only.

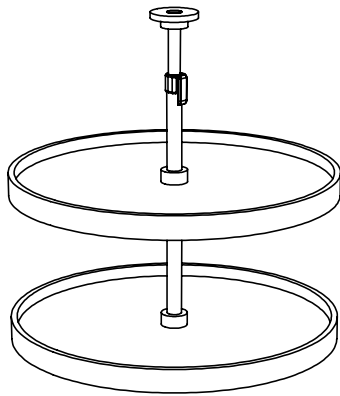
See Section 9 of Custom Manual for pricing, specie availability and dimensioned drawings.

Size is nominal. Actual 8' length will vary between 94" to 97".

When ordering Reversible Shaker Crown 1529 and Reversible Frieze 345 specify Face A or Face B.

Finished mouldings will have Face and Edges finished. An option to finish Face & Back can be specified - upcharge applies.

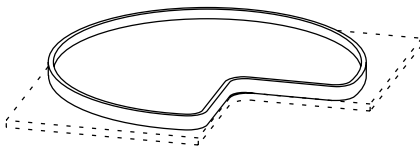
### Standard Lazy Susan Shelves



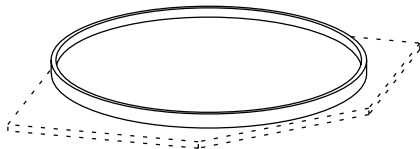
- White plastic susan with two independently rotating shelves mounted on a center pole.
- Shelves feature self lubricating nylon bearing and tool-free height adjustment.
- When standard lazy susan shelves are ordered, cabinet interior shelves are automatically omitted.
- See individual cabinet sections for standard lazy susan upgrade pricing.

Part No.	Sized for Cabinet	Description
2102946	WCS/CSWCSE (30" High) WCA/CSWCA (48" High) TTWCSE/CSTTWCE (48" High)	18" Full Round
2102947	BCFD/CSBCFD	32" Full Round
2102948	BLS/CSBLS	32" Kidney
2102949	BLS30/CSBLS30	24" Kidney

### Wood Lazy Susan Shelves



Kidney

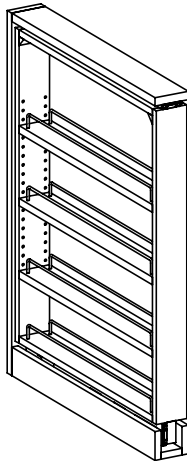


Full Round

- Wood susans are designed to be installed onto adjustable shelves and cabinet floors.
- Pricing includes susan and mounting ring bearing only, cabinet shelves not included.
- No center pole is required.
- Sold individually and packaged with a center mounted ring bearing.
- All susans are prefinished with clear topcoat; unfinished units are not available.
- 1/2" thick Maple plywood with a 1-1/2" high laminated edge.

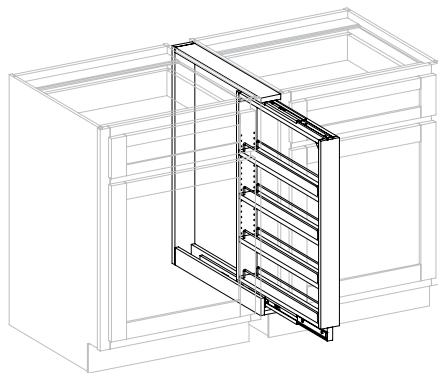
Part No.	Sized for Cabinet	Description
2100050A	BLS3634.5	32" Kidney-Wood Lazy Susan
2100051A	BCFD3634.5	32" Full Round-Wood Lazy Susan
2100053A	WCA/WCS	18" Full Round-Wood Lazy Susan

## Pull-Out Storage Units



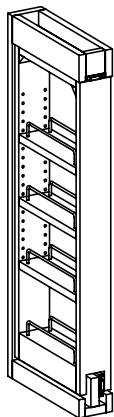
### Base Units

- All base storage units 23" deep and 30" high.



### Pull-Out Storage Unit Installed

- Mount Pull-Out Storage Units to adjacent cabinets.



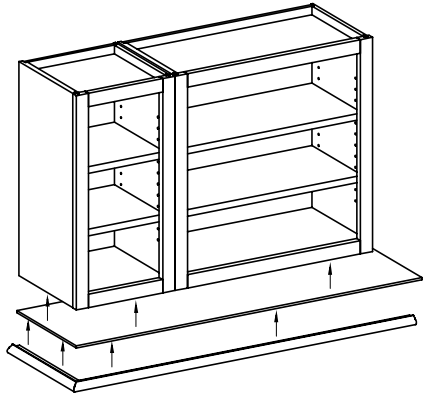
### Wall Units

- Available in 30", 36" and 42" high.
- All wall storage units 11-1/8" deep.

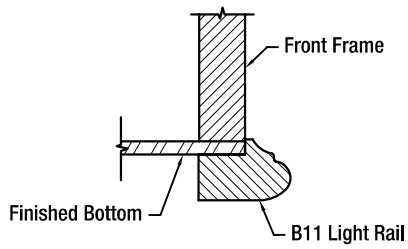
- Pull-Out Storage Units are designed for 3" or 6" spaces between cabinets and can be accessed from both sides.
- Storage units are fully assembled and packaged with installation instructions.
- Wall and base storage units include adjustable shelves with chrome rails and full-extension ball bearing sides.
- Prefinished Natural Birch only; unfinished units are not available.
- Drawer fronts and overlay fillers are not included and must be ordered separately.

Part No.	Description
2100750A	3" Base Pull-Out Storage Unit
2100751A	6" Base Pull-Out Storage Unit
2100752A	3" Wall Pull-Out Storage Unit - 30" High
2100753A	6" Wall Pull-Out Storage Unit - 30" High
2100754A	3" Wall Pull-Out Storage Unit - 36" High
2100755A	6" Wall Pull-Out Storage Unit - 36" High
2100756A	3" Wall Pull-Out Storage Unit - 42" High
2100757A	6" Wall Pull-Out Storage Unit - 42" High

### Finished Bottom Panels for Wall Cabinets



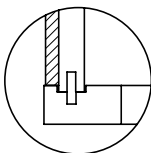
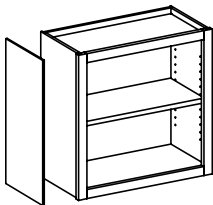
- 1/4" plywood strips in Cherry, Hard Maple and Red Oak are available in common wall depths x 96" long.
- Diagonal corner wall panels are available for WCS, WCSLS and TTWCSE cabinets.
- When attached to the underside of wall cabinets, these panels provide flush finished bottoms.
- Use B11 Light Rail to cover exposed plywood edges.
- For best results attaching B11 at end of run applications, order flush ends.



Panel Size/Design	Template No.
96" x 12-1/2"	TB5009
96" x 15-1/2"	
96" x 18"	
96" x 21"	
96" x 24"	
Corner panel 24" x 24"	TB5010
Corner panel 27" x 27"	



## End Skins - Program Species

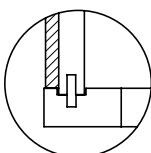
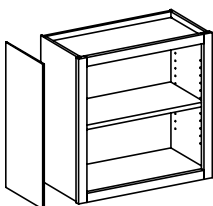


- Use end skins when exposed or flush ends are necessary.
- End skins are 1/4" thick veneer core with sound backs. Face species are Plain Sliced B grade veneers.
- End skins are available finished or unfinished and will be sent separately from the cabinets. See Finishing Program Section for finish pricing.
- When installed, 1/4" end skins provide a nearly flush end and need to be installed using adhesive.
- To calculate end skins for most cabinets: width = cabinet depth minus 3/4"  
length = overall cabinet height
- To order, specify end skin, specie, width and height.

### 1/4" End Skins - Program Species

Specie	
Cherry	Red Oak
Hard Maple	

## Non-Standard Specie Option for Cabinet Systems



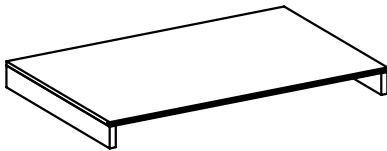
- End skins are 1/4" thick plywood with MDF core with matching specie face and back. Most species are Plain Sliced A faces with 1" backs except Red and White Birch which are rotary cut face and back.
- Species other than the standard program (Cherry, Hard Maple, Red Oak and Soft Maple) are available using custom specie front frames, and pre-cut matching specie end skins for cabinet sides.
- End skins are available finished or unfinished and will be sent separately from the cabinets. See Solid Wood Finishing Section 9 in the Custom Product Manual for finish pricing.
- When installed, 1/4" end skins provide a nearly flush end and need to be installed using adhesive.
- Matching specie interior components are not available for non-standard species.
- Conestoga's online software Con-Nex, will calculate pre-cut end skins for visible cabinet ends based on the cabinet size. Specify left, right or both sides that require end skins.

### 1/4" End Skins for Non-Standard Cabinet Systems Species

Specie	
Alder	Knotty Pine**
Birch, Red	Quarter Sawn Red Oak
Birch White	Quarter Sawn White Oak
Caramelized Bamboo	White Oak (Plain Sliced)
MDF* (Raw)	Walnut
Hickory	

\*MDF end skins are for painted applications. Face frames are not available in MDF and a specie and grade must be specified. Paint Grade Hard Maple (PGHM) is recommended.

\*\*Custom face frames are not available in Knotty Pine. Frames are constructed using Clear Pine.

**CSFFK – Loose Fixed Floor Kit**

- Use Loose Fixed Floor Kits to horizontally segment almost any cabinet. Order cabinet without a front frame and order custom front frame as required.
- Loose Fixed Floor Kits are sized to fit between sides. Plywood cleats included to mount floors as needed behind front frame openings. Floors include pre-inserted spines.
- To order specify CSFFK and the cabinet width and depth. Conestoga calculates the kit dimension based on the cabinet interior dimension.
- Use Conestoga's online ordering system, Con-Nex or Conestoga order entry for pricing.