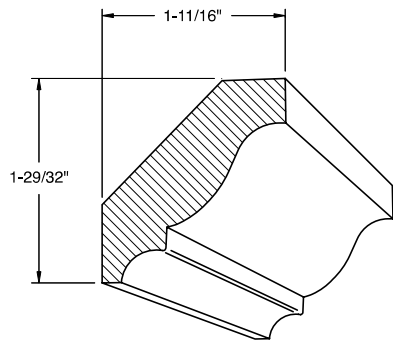
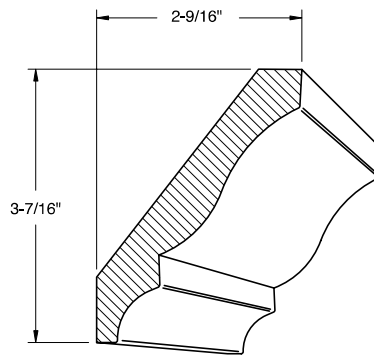


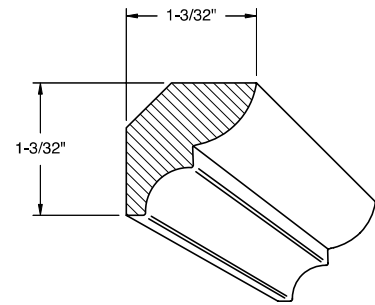
Crown Mouldings



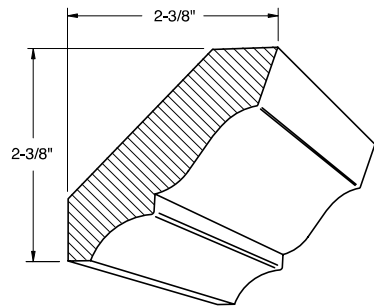
Crown 6



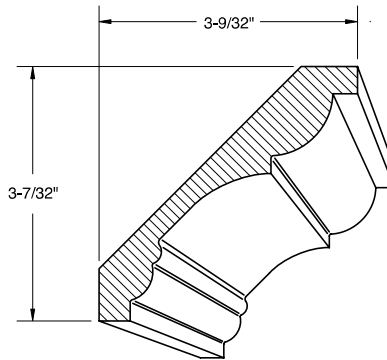
Crown 24



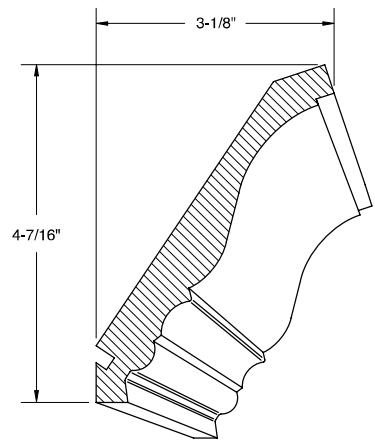
Crown 33



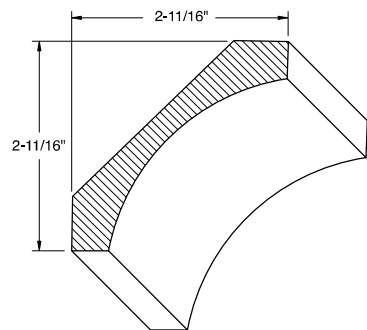
Crown 619



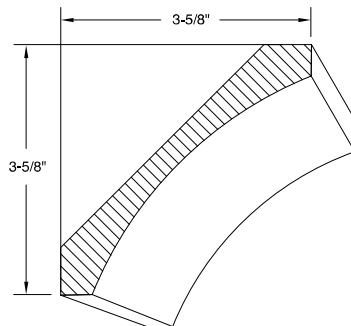
Crown 1238



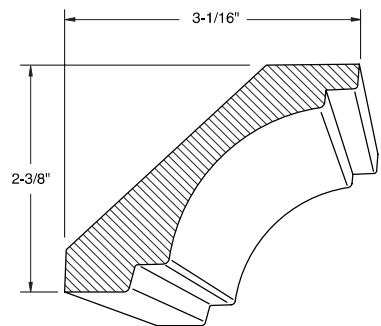
Crown 1550*



Large Cove 1524



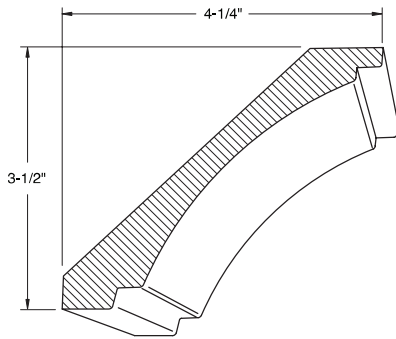
Large Cove 2618



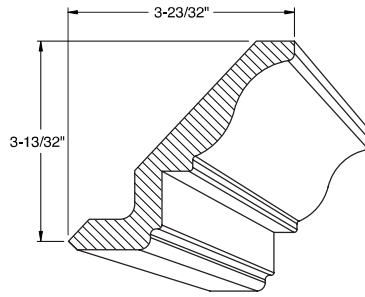
Crown 2324

* Crown moulding 1550 will accommodate Mounting Plate 384.
Note: Drawings not to scale.

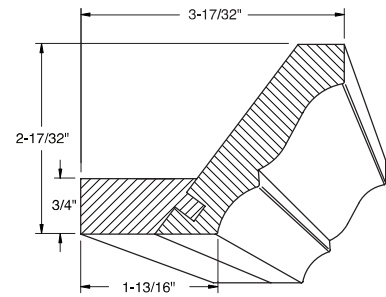
Crown Mouldings (continued)



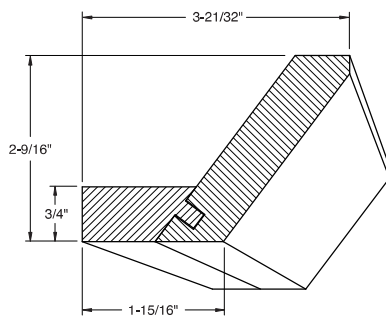
Crown 2325



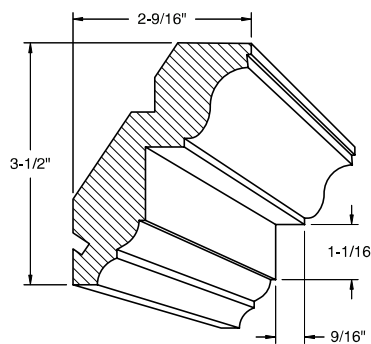
Crown B10*



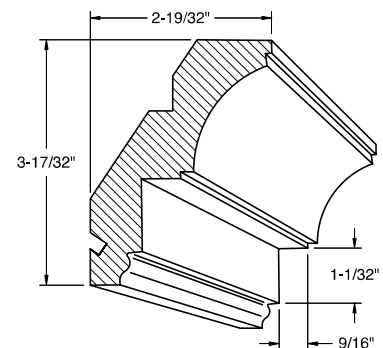
Crown 801
w/mounting plate**



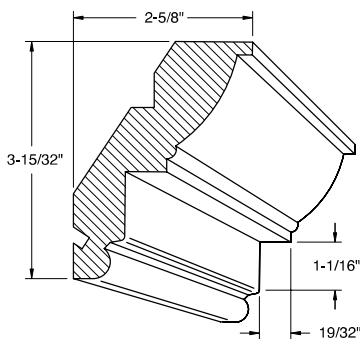
Shaker Crown 1126
w/mounting plate**



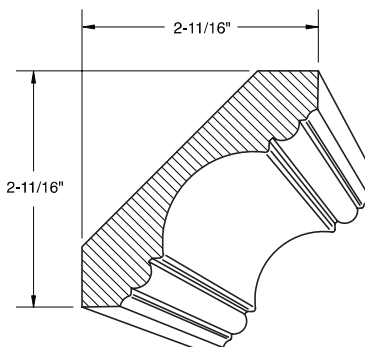
Crown 342***



Crown 343***



Crown 344***



Crown 1557

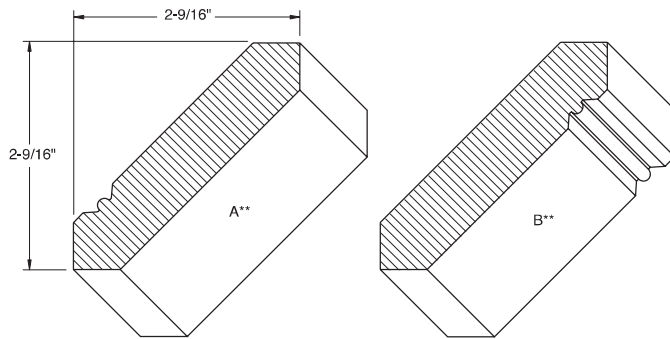
* Crown B10 will accommodate 3/4" Rope and 7/8" Dentil.

** Crown 801 and Shaker Crown 1126 will be manufactured with a Paint Grade Hard Maple mounting plate, additional species available through Special Designs.

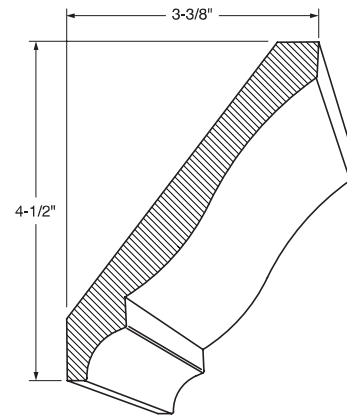
*** Crown mouldings 342, 343, 344 will accommodate mounting plate 384 and 3/4" Rope, 7/8" Dentil and 1" Egg & Dart.

Note: Drawings not to scale.

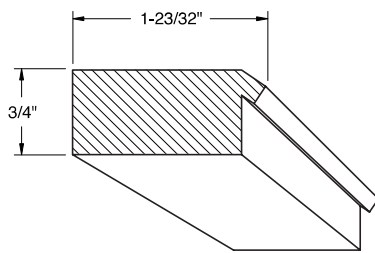
Crown Mouldings (continued)



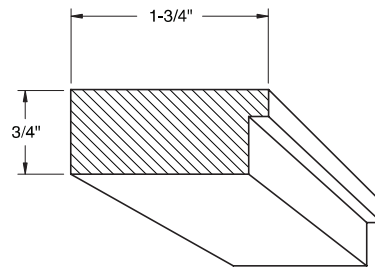
Reverse Shaker Crown 1529†



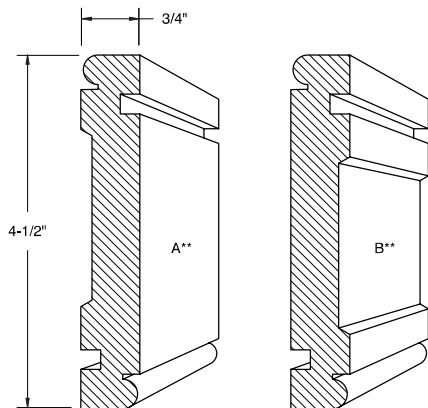
Crown 2584



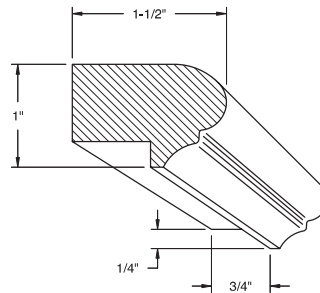
Crown Mounting Plate 384



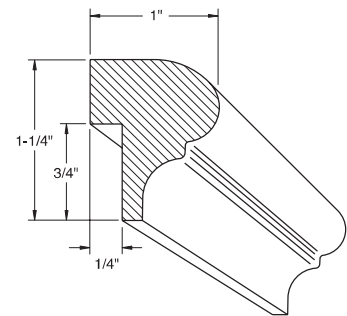
Frieze Mounting Plate 470



Reversible Frieze 345*†



Light Rail B11



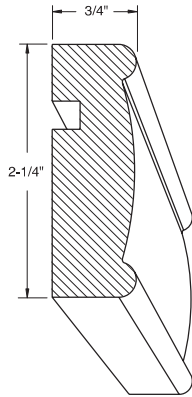
Light Rail 361

* Reversible Frieze 345 will accommodate Mounting Plate 470.

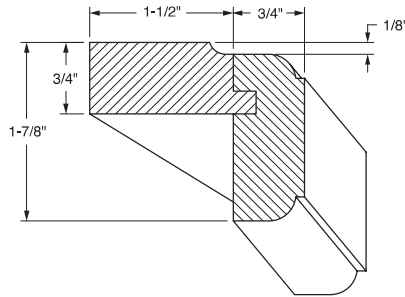
† When ordering dual side profile product, specify "Face side A" or "Face side B". When ordering prefinished product, specify "Finish side A" or "Finish side B".

Note: Drawings not to scale.

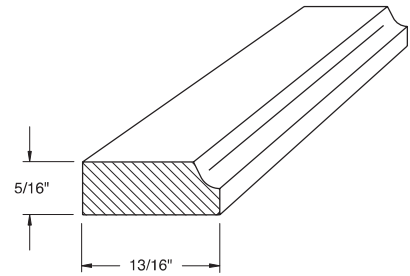
Trim and Accent Mouldings



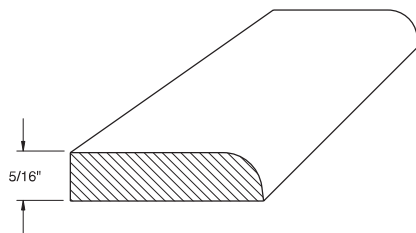
Light Rail 1448*



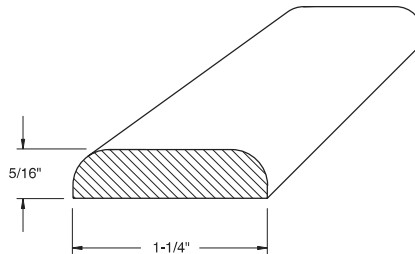
**Light Rail 2380†
w/mounting plate**



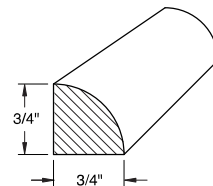
Scribe 1809



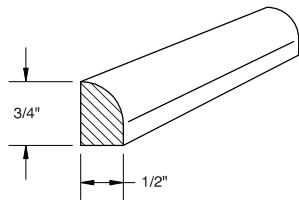
**Scribe 14 (1-1/4" wide)
Scribe 2316 (5/8" wide)
Scribe 2317 (4" wide)**



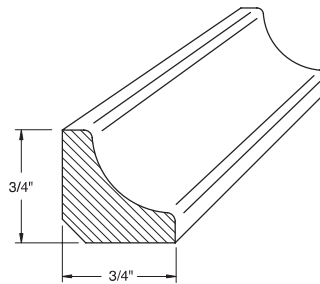
Batten 13



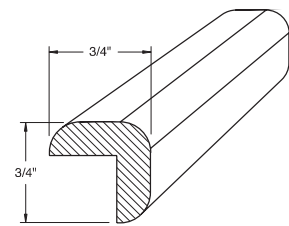
Quarter Round 1329



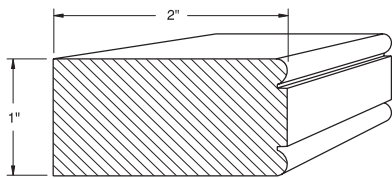
Base Shoe Moulding 583



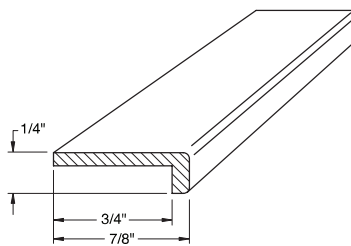
Inside Corner Cove 11



Outside Corner 12



Beaded Trim 1439



Refacer's Moulding 2322

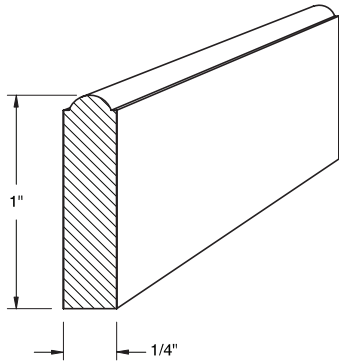
* Light Rail 1448 will accommodate Mounting Plate 470.

† Light Rail 2380 is manufactured with matching specie mounting plate. Option to choose edge profile to be applied to top and bottom.

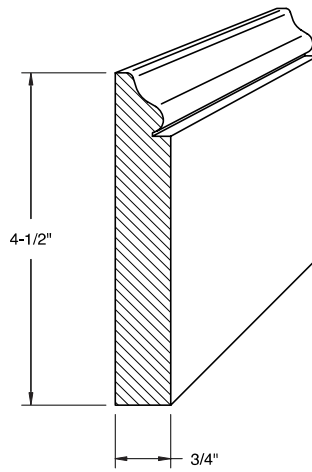
All published edge profiles available except B, C, FP, L-034, L-253, L-304 and L-686.

Note: Drawings not to scale.

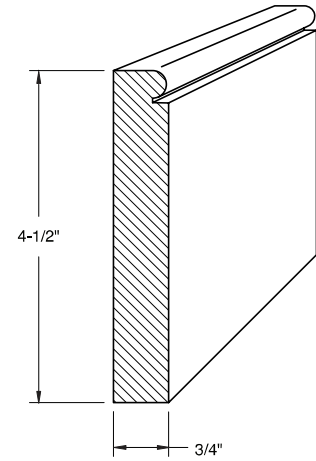
Trim and Accent Mouldings (continued)



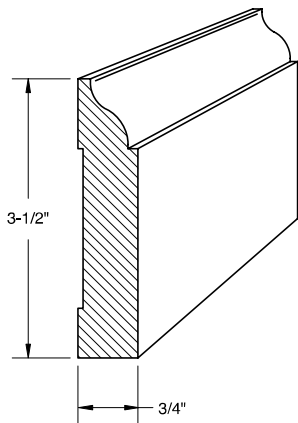
Parting Bead 2302



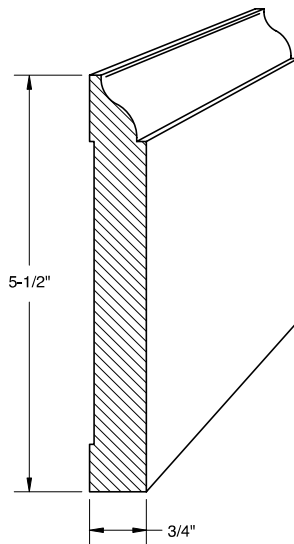
Colonial Base 10



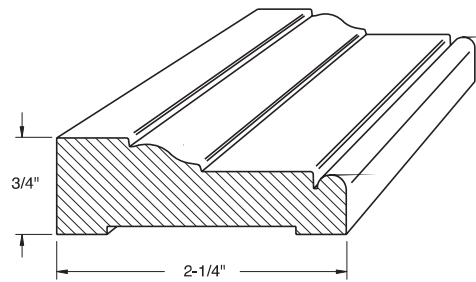
Beaded Base 381



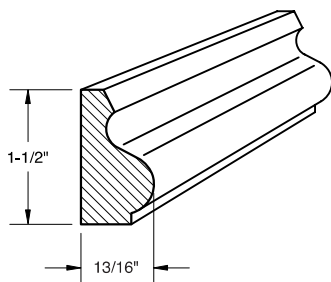
Base Moulding 897



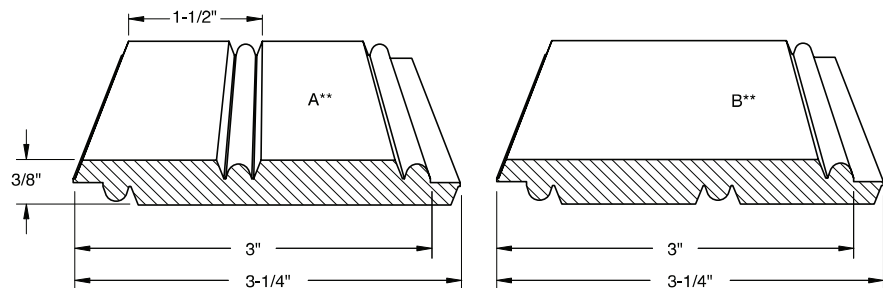
Base Moulding 898



Colonial Casing 21



Base Cap 860

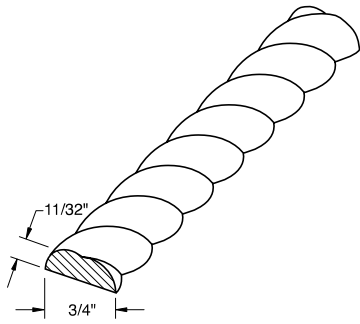


Beaded Panel B09**

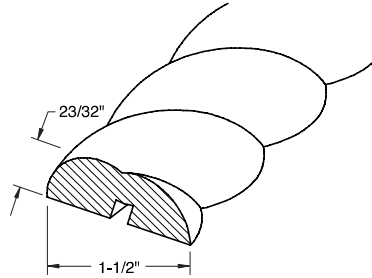
** When ordering dual side profile product, specify "Face side A" or "Face side B". When ordering prefinished product, specify "Finish side A" or "Finish side B."

Note: Drawings not to scale.

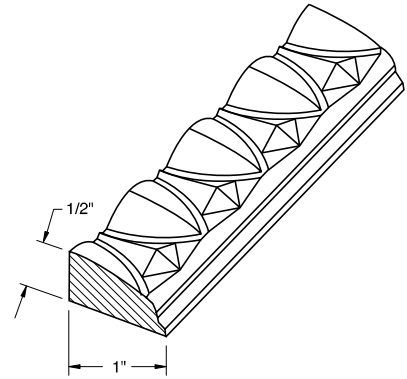
Trim and Accent Mouldings (continued)



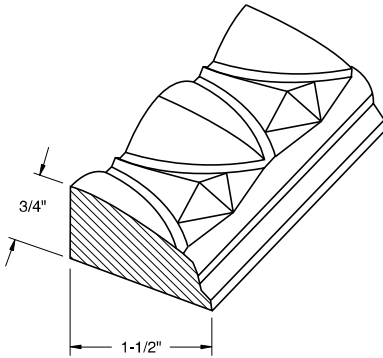
3/4" Rope



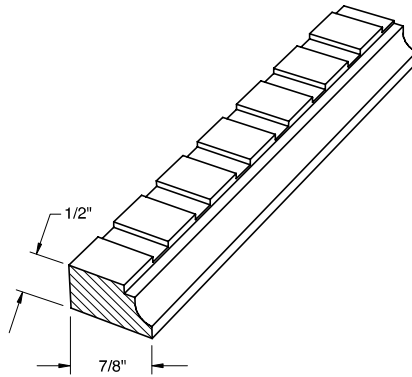
1-1/2" Rope



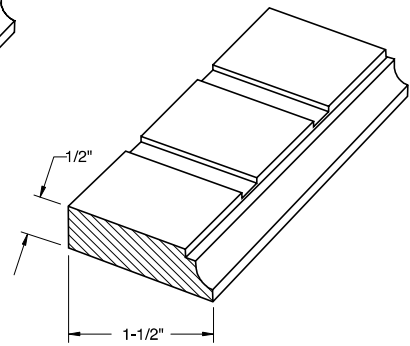
1" Egg & Dart



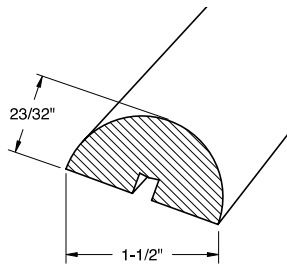
1-1/2" Egg & Dart



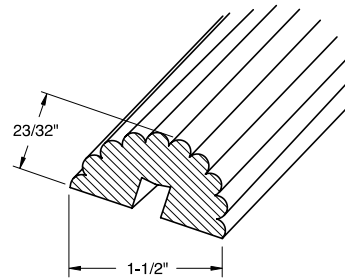
7/8" Dentil



1-1/2" Dentil



1-1/2" Plain



1-1/2" Reeded

Note: Drawings not to scale.