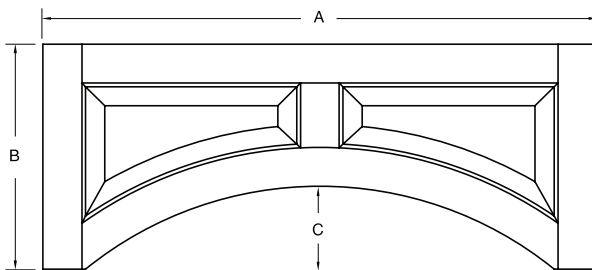


Custom Valances - Special Designs

Conestoga offers a wide variety of arched panel configurations and options. Valances illustrated on the following pages represent popular custom arched panel designs. The manufacturing of custom valances is based off of customer-supplied dimensioned drawings. **If any of the following illustrations below match the look you desire, please copy the appropriate page, designate the necessary dimensions and forward it to Customer Service.**

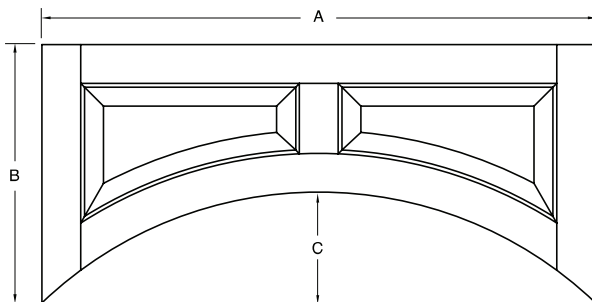
- Arched panel valances are available in most mortise and tenon and miter designs. Applied moulding designs, while commonly available, depend on the radius of the panel.
- Design options include, but are not limited to all published panel raises and framing beads, edge profiles, grooved panels, wide framing, and custom rise dimensions.
- A CAD drawing will be created prior to the manufacturing of any custom arched panel. After a review and sign off by the customer, the drawing must be returned to Special Designs in order for production to begin. Lead-time calculations will not begin until Conestoga has received an approved drawing.
- Framing widths will match door style selected unless otherwise noted by customer.
- Please provide all necessary dimensions when ordering.

Design Option A



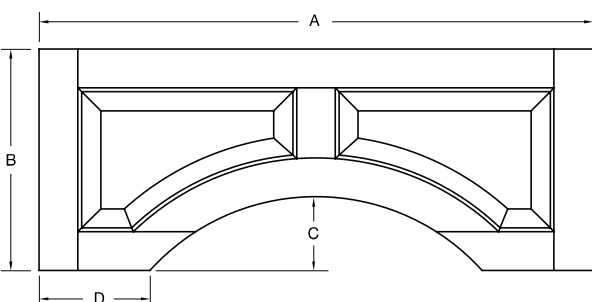
Sizes	
A	
B	
C	
Grain Direction	
Vertical	Horizontal

Design Option B



Sizes	
A	
B	
C	
Grain Direction	
Vertical	Horizontal

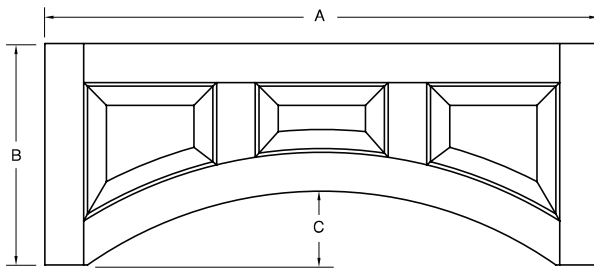
Design Option C



Sizes	
A	
B	
C	
D	
Grain Direction	
Vertical	Horizontal

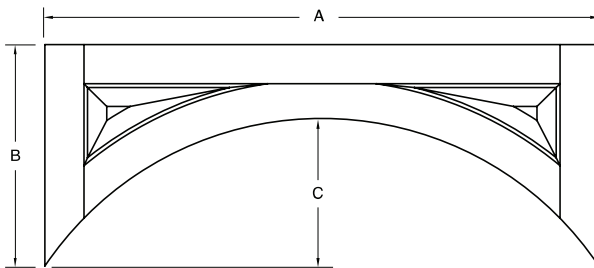
Custom Valances - Special Designs (continued)

Design Option D



Sizes	
A	
B	
C	
Grain Direction	
Vertical	Horizontal

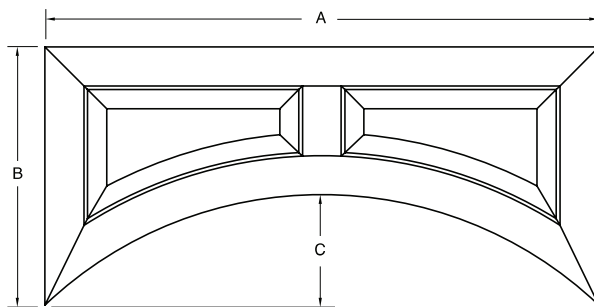
Design Option E (horizontal grain only)



Sizes	
A	
B	
C	

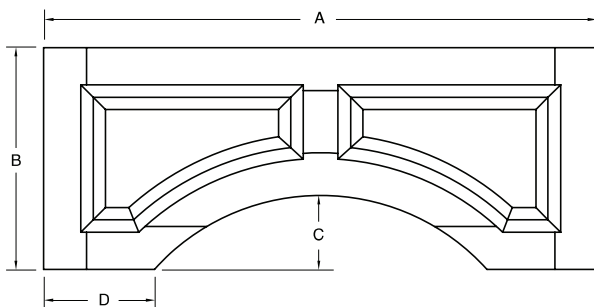
Horizontal grain direction only.

Design Option F



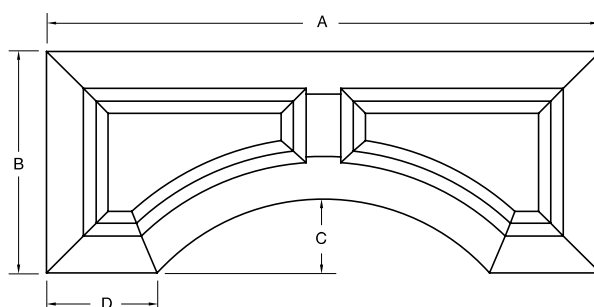
Sizes	
A	
B	
C	
Grain Direction	
Vertical	Horizontal

Design Option G (applied moulding)



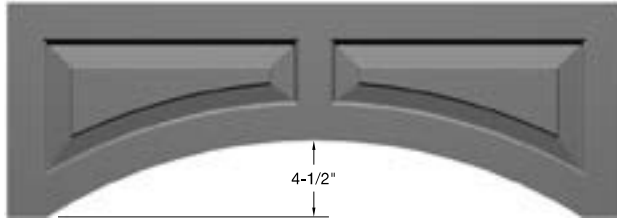
Sizes	
A	
B	
C	
D	
Grain Direction	
Vertical	Horizontal

Design Option H (available with or without applied moulding)



Sizes	
A	
B	
C	
D	
Grain Direction	
Vertical	Horizontal

Standard Arched Valances



Arched Valance

Valances 30" to 48".

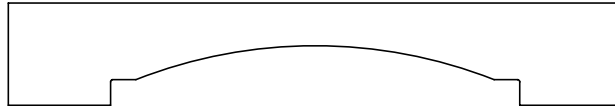
Valances 51" to 72".

- Standard Arched Raised Panel Valances are available in three inch wide increments from 30" to 72" only.
- Minimum size – 30" wide x 12-1/2" high. Maximum size – 72" wide x 30" high. Framing widths: 2-3/4" stiles, 2-5/16" rails, 2-1/2" upright mid-rail. The rise is always 4-1/2", regardless of valance width.
- Horizontal grain panels are standard, vertical grain is available with a per valance upcharge.
- Design standard as shown. Individual designs, including applied moulding, must be ordered through Special Designs.

Offering And Availability	
Species	
Material Pricing Guide	All 3/4" and 1" species available except Rustic Knotty.
Edge Profiles	
pg 7.1	Machine Edge only.
Framing Beads	
pg 7.2	All 3/4" and 1" available.
Panel Raises	
pg 7.2	All 3/4" and 1" available.
Options	
pgs 7.3-7.15	Available with pegs, distressing, cross grain sanding, wear sanding, putty pin holes, weathered grain and cut down in width only.

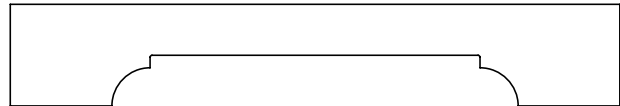
Standard 1-Piece Valances

- 1-Piece Valances are available in a 6" height only.
- 1-Piece Valance pricing is determined using design plus material calculations. See the drawings below to determine appropriate Design Charge. Calculate overall square footage of valances and refer to Category B of the specie desired in the Material Pricing Guide to determine Material Charge.



Classic Arch

Valances 21" to 60"
Valances 60-1/16" to 96"



Elegant Arch

Valances 21" to 60"
Valances 60-1/16" to 96"



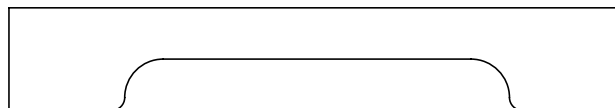
Roman Arch

Valances 12" to 60"
Valances 60-1/16" to 96"



Straight

Valances 12" to 60"
Valances 60-1/16" to 96"



Traditional Arch

Valances 16" to 60"
Valances 60-1/16" to 96"

Edge Profile Options

- Straight valance comes standard with Machine Edge, but is available with any edge profile. Specify which edges receive an edge profile, other than Machine Edge.
- Roman Arch valance and Traditional Arch valance come standard with Machine Edge. These valances are available with edge profiles: B-2, C-2, CFP-2, E-2, H-2, J-2, L-059, L-120, L-149, L-281, L-382, L-772, L-803, L-1160, LC-2, PRS-2, RC-2 and V-2. Specify which edges receive profiles other than Machine Edge.
- Classic Arch valance and Elegant Arch valance are only available with a Machine Edge.
- See matrix on next page to determine pattern related dimensions.

Standard 1-Piece Valances (continued)

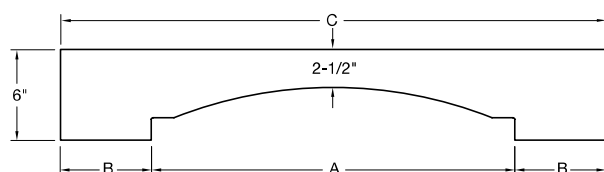
Valance Matrix Instructions

Use the matrix below to determine the specifications for patterned valances. Find the desired valance length in one of the C rows. The top number (white numbers in black) in the column with the desired length is the pattern length. The pattern will be centered on the valance.

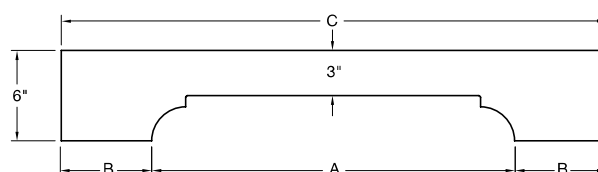
From the C block containing the desired overall valance length, the extreme right number in that row, which is under column B is the size of the flat areas on the left and right side of the pattern.

Example: If ordering a Traditional Arch valance with an overall length of 30" (dimension C), note that:

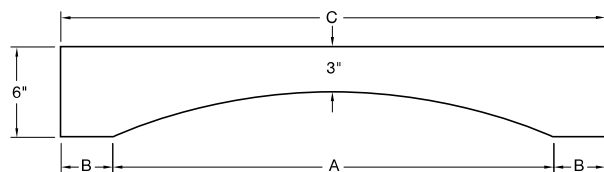
- 30" appears in the sixth C row, fourth column of the matrix.
- Referring to the top of the column, in row A, a pattern length of 19" will be found.
- Referring back to the 30" C row, at the right end of the row, in column B, flat areas of 5-1/2" on both the left and right ends of the valance will be found.
- The selected 30" valance will have a pattern 19" wide, centered on the valance, with 5-1/2" wide flat areas at both ends of the valance.



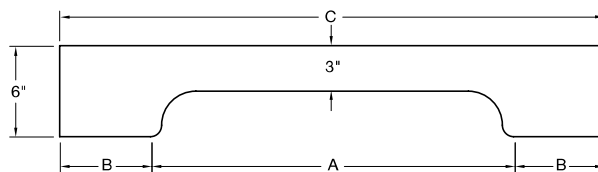
Classic Arch



Elegant Arch



Roman Arch



Traditional Arch

Valance Matrix											
A*	9"	11"	14"	19"	24"	30"	42"	54"	66"	78"	B
C	15"	17"									3"
C	16"	18"	21"	26"	31"	37"	49"	61"	73"	85"	3-1/2"
C		19"	22"	27"	32"	38"	50"	62"	74"	86"	4"
C		20"	23"	28"	33"	39"	51"	63"	75"	87"	4-1/2"
C			24"	29"	34"	40"	52"	64"	76"	88"	5"
C			25"	30"	35"	41"	53"	65"	77"	89"	5-1/2"
C					36"	42"	54"	66"	78"	90"	6"
C						43"	55"	67"	79"	91"	6-1/2"
C						44"	56"	68"	80"	92"	7"
C						45"	57"	69"	81"	93"	7-1/2"
C						46"	58"	70"	82"	94"	8"
C						47"	59"	71"	83"	95"	8-1/2"
C						48"	60"	72"	84"	96"	9"

*Note: Any increment 1/2" or less round down to nearest measurement in row "A". Any increment 9/16" or greater round up to nearest measurement in row "A".

Slab Fillers



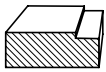
Slab Filler

- Slab fillers can be ordered in widths from 1-1/2" to 48" and heights from 4-1/2" to 96". Available in all 3/4" and 1" species.
- All 3/4" and 1" edge profiles are available.
- Slab fillers are available with pegs, radius corners, grooves, back-routed hand pulls, distressing, wear sanding and weathered grain.

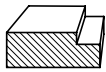
1-Piece Design Upcharges

Width	Height			
	Minimum – 39-15/16"	40" – 54-15/16"	55" – 69-15/16"	70"+
Minimum – 11-15/16"	Design Charge			
12" – 23-15/16"	Design Charge			
24"+	Design Charge			

Glass Shelves



1/8" depth



1/4" depth

Grafton

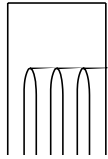
8" x 12"

2" Framing

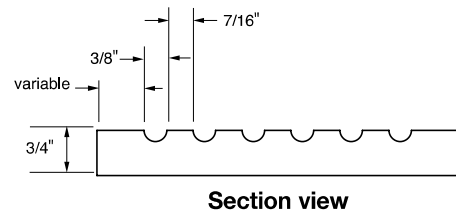
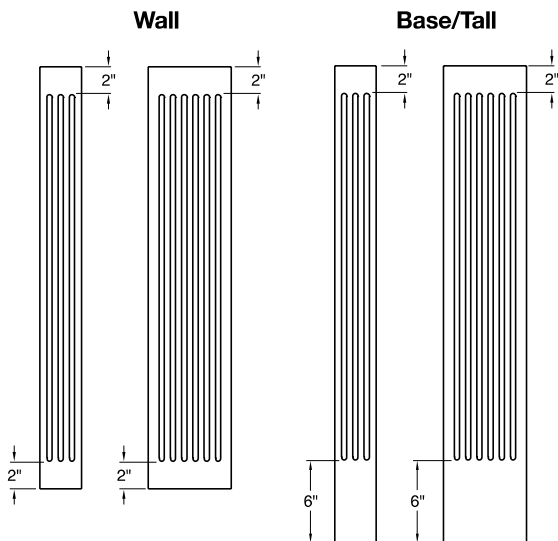
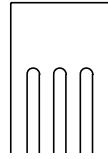
- Used in conjunction with a frame only door or with a wire grille insert.
- Allows light to flow through the entire cabinet, accentuating fine dinnerware, glassware or other collectibles.
- All 3/4" and 1" species available.
- Maximum size – 23-15/16" deep x 36" long.
- Edge profiles – defaults to machine edge on all 4 edges. Additional edge profiles include B-2, C-2, CFP-2, H-2, J-2, L-034, L-059, L-149, L-382, L-803, L-1160, LC-2 and PRS-2.
- Two framed options accept either 1/8" or 1/4" glass (glass not included).

Fluted Fillers

Tapered Flute



Rounded Flute



- Fluted Fillers can be ordered in custom widths from 3" to 15-15/16" and heights up to 96" in all standard 3/4" species.
- Choose from either Tapered or Rounded flutes. If not specified, flutes will be produced using the Tapered design.
- Non-fluted or "flat" areas are design specific, but can be customized to meet your design needs. Simply specify the flat dimensions desired. Specify "Flats to measure 0" to extend flutes the entire length of filler.
- Fluted Filler pricing is determined using design plus material calculations. See the chart below to determine appropriate Design Charge. Calculate overall square footage of filler and refer to category B of the specie desired in the Material Pricing Guide to determine Material Charge.
- The number of flutes per filler width is indicated in the chart below. Custom flute spacing is available through Special Designs.

Fluted Filler Pricing

Filler Width	# Flutes	Under 60" in length	60" or greater in length
3" to 3-15/16"	3		
4" to 4-15/16"	4		
5" to 5-15/16"	5		
6" to 6-15/16"	6		
7" to 7-15/16"	7		
8" to 8-15/16"	9		
9" to 9-15/16"	10		
10" to 10-15/16"	11		
11" to 11-15/16"	12		
12" to 12-15/16"	14		
13" to 13-15/16"	15		
14" to 14-15/16"	16		
15" to 15-15/16"	17		

Edge Profile Options

- Fluted Fillers come standard with a Machine Edge, but can be ordered with a variety of edge profiles including B-2, C-2, LC-2, L-034, L-059, L-149, L-253, L-382, L-686, L-1160, PRS-2, RC-2 and V-2.
- Beveled edge profile selections include the L-991 (45 degree back bevel) and the L-423 (22-1/2 degree back bevel).
- Premium edge profiles include the L-297, L-304 and LC-Inset edge. Upcharge applies.

Wood Floating Shelves

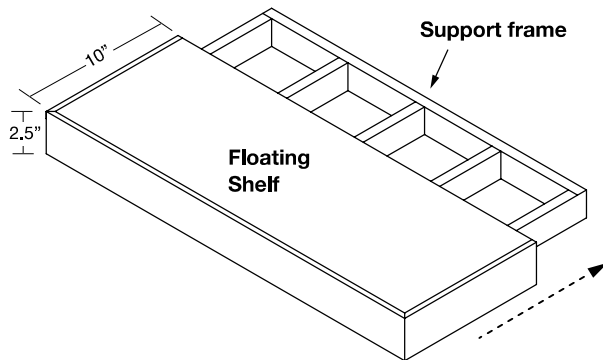
The Floating Shelf is a functional way to add style to the interior décor of kitchens, bathrooms and other living areas throughout a home. These shelves have a support frame that must be mounted securely to the studs in the wall, then the exterior portion of the shelf slides over the support frame to completely conceal the sub-structure. The result is an attractive, fashionable shelf to display pictures, dishware and other interior design accents.

Wood Floating Shelf, Beaded Floating Shelf and Crown Floating Shelf

- Available species include Cherry, Hard Maple, Paint Grade Hard Maple, Quarter Sawn White Oak, Red Oak and Walnut.
- The front and sides of the shelves are made from 3/4" solid hardwoods, mitered at the two front corners.
- The Beaded Floating Shelf includes a decorative bead on both the top and bottom of the front and side returns.
- The Crown Floating Shelf includes a modified crown moulding on the front and side returns.
- The shelf top and bottom is 3/8" thick plywood, matching the specie of the hardwood.
- Once the Floating Shelf is fully installed, it is recommended that the shelf be secured to the support frame using headless pins or small finishing nails so the shelf cannot inadvertently slide off of the support frame.
- Custom lengths available. Pricing rounded to next largest published size plus an additional \$20.00.

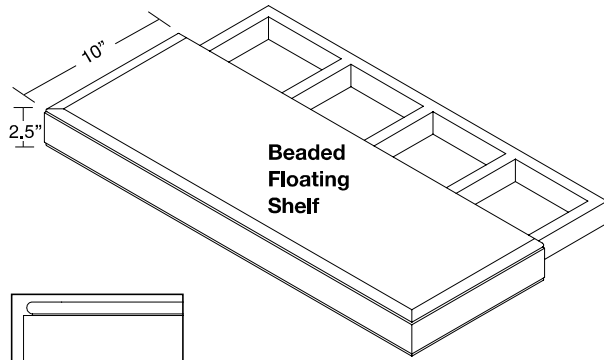
Support Frame

- Manufactured using 3/4" thick unselected hardwoods.
- It is imperative that Floating Shelves be mounted to two or more wall studs using four or more coarse thread screws at least 2-1/2" in length. The 60" Floating Shelf should be mounted to three or more studs.
- Maximum load capacity for the shelf and support frame is 10 lbs. per linear foot. While Floating Shelves are built from strong, sturdy materials, the load capacity of these shelves is dependent on upon the quality of the installation screws and whether the shelves are secured into the wall studs. If not secured into two or more studs using two or more high quality installation screws per stud, the shelf may not support the desired weight. Conestoga will not be responsible for shelf failure due to inadequate installation techniques or materials.
- All models of Wood Floating Shelves are available with primers, stains, Colourtones, Prism Paints and glazes.
- Finish pricing: Design Charge multiplier – 1.5x
Material Charge – actual sq. footage x 1.25

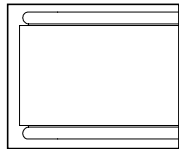


Floating Shelf (Includes Design & Material Charge)					
Specie	24" or 30"	36"	42"	48"	60"
Cherry					
Hard Maple					
PG Hard Maple					
QS White Oak					
Red Oak					
Walnut					

Wood Floating Shelves (continued)

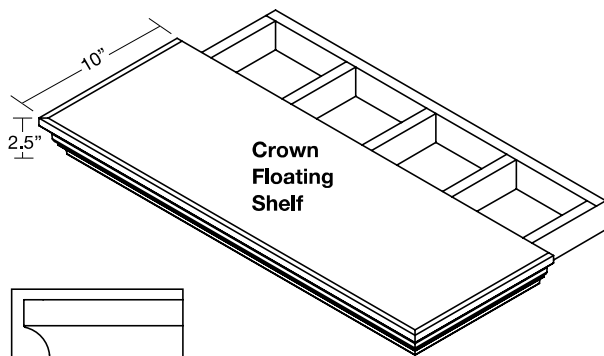


Beaded Floating Shelf

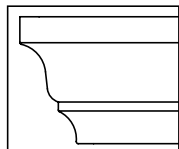


Beaded Floating Shelf - Side View

Beaded Floating Shelf (Includes Design & Material Charge)					
Specie	24" or 30"	36"	42"	48"	60"
Cherry					
Hard Maple					
PG Hard Maple					
QS White Oak					
Red Oak					
Walnut					



Crown Floating Shelf



Crown Floating Shelf - Side View

Crown Floating Shelf (Includes Design & Material Charge)					
Specie	24" or 30"	36"	42"	48"	60"
Cherry					
Hard Maple					
PG Hard Maple					
QS White Oak					
Red Oak					
Walnut					

Alternative Material Floating Shelves

Stainless Floating Shelves

- ◆ A perfect complement of today's industrial, transitional and modern kitchens.
- ◆ Can be mounted between cabinets, at the end of a cabinet run, or free standing in any room of the home.

Support Frame

- ◆ The support frame consists of a wood mounting plate with protruding metal supports. The support frame must be secured to at least two wall studs using 3" coarse thread screws. The stainless shelf slides over the support frame, completely concealing it to provide the classic floating shelf appearance. Mounting instructions and installation screws are included.
- ◆ Maximum load capacity is 10 pounds per linear foot. While Floating Shelves are built from strong, sturdy materials, the load capacity of these shelves is dependent upon the quality of the installation screws and if the support frame is secured to the wall studs. If not secured into two or more studs using two 3" screws per stud, the shelf may not support the desired weight. Conestoga will not be responsible of shelf failure due to inadequate installation techniques or materials.



Stainless Steel Floating Shelf (Includes Design & Material Charge)				
Part Number	Length	Depth	Height	List Price
2200232A	24"	10"	2.5"	
2200233A	30"	10"	2.5"	
2200234A	36"	10"	2.5"	

Alternative Material Floating Shelves (continued)

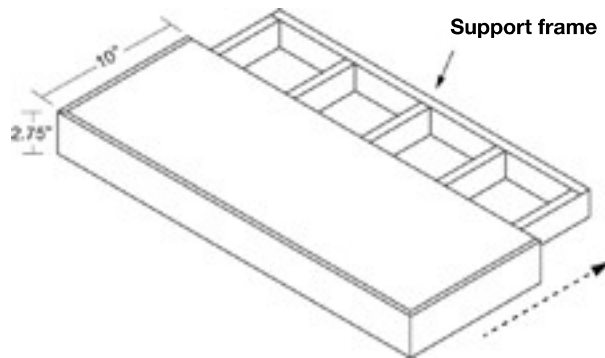
Super Matte Floating Shelves

- ◆ Available in all Super Matte colors – see pricing chart below.
- ◆ The front and sides of the shelf are made from 3/4" edgebanded material, mitered at the two front corners.
- ◆ The shelf top and bottom is 6mm thick Super Matte material.
- ◆ Once the Floating Shelf is fully installed, it is recommended that the shelf be secured to the support frame using headless pins or small finishing nails so the shelf cannot inadvertently slide off of the support frame.
- ◆ Custom lengths available - pricing rounded to next largest published size plus an additional charge.

Support Frame

- ◆ Manufactured using 3/4" thick unselected hardwoods.
- ◆ It is imperative that Floating Shelves be mounted to two or more wall studs using four or more coarse thread screws at least 2-1/2" in length. The 60" Floating Shelf should be mounted to three or more studs.
- Maximum load capacity for the shelf and support frame is 10 pounds per linear foot. While Super Matte Floating Shelves are built from strong, sturdy materials, the load capacity of these shelves is dependent upon the quality of the installation screws and whether the shelves are secured into the wall studs. If not secured to two or more studs using two or more high quality installation screws per stud, the shelf may not support the desired weight. Conestoga will not be responsible for shelf failure due to inadequate installation techniques or materials.

Super Matte Floating Shelf						
Colors	24"	30"	36"	42"	48"	60"
Anthracite Matte, Black Matte, Light Grey Matte, White Matte						



Alternative Material Floating Shelves (continued)

Thermally Textured Surface Floating Shelves

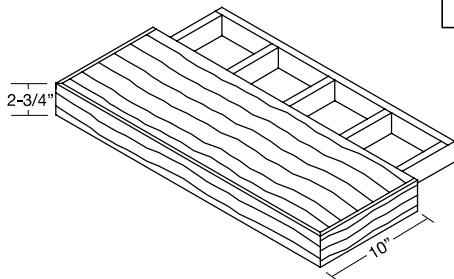
- ◆ Available in most Intrigue, Strata and Vogue TTS materials - see available colors in the pricing charts below.
- ◆ The front and sides of the shelf are made from 3/4" banded TTS material, mitered at the two front corners.
- ◆ The shelf top and bottom is 8mm thick TTS material.
- ◆ Once the Floating Shelf is fully installed, it is recommended that the shelf be secured to the support frame using headless pins or small finishing nails so the shelf cannot inadvertently slide off of the support frame.
- ◆ Custom lengths available - pricing rounded to next largest published size plus an additional charge.

Support Frame

- ◆ Manufactured using 3/4" thick unselected hardwoods.
- ◆ It is imperative that Floating Shelves be mounted to two or more wall studs using four or more coarse thread screws at least 2-1/2" in length. The 60" Floating Shelf should be mounted to three or more studs.
- ◆ Maximum load capacity for the shelf and support frame is 10 pounds per linear foot. While TTS Floating Shelves are built from strong, sturdy materials, the load capacity of these shelves is dependent on upon the quality of the installation screws and whether the shelves are secured into the wall studs. If not secured to two or more studs using two or more high quality installation screws per stud, the shelf may not support the desired weight. Conestoga will not be responsible for shelf failure due to inadequate installation techniques or materials.

Strata Floating Shelf						
Tier 1	24"	30"	36"	42"	48"	60"
Ash Brown (LM98), Aspen Oak (LM67), Barn Oak (LN27), Bianco (BO11), Carbone (LM08), City Oak (LM69), French Roast (LK10), Graphite (LG18), Oregon Pine (LK84), Palissandro (LK55), Stratos (LM37), Swiss Almond (LM96), Vineyard Oak (LN30)						
Tier 3						
Burned (SO12), Cypress Point (SO13), Dublin (S135), French Grey (SO27), Light Carbon (S015), Madrid (S133), Nero (U129), Silver Sand (SO11)						

Vogue Floating Shelf						
Colors	24"	30"	36"	42"	48"	60"
Fresno Glacial (16N), Roble Aurora (98V), Roble Azabache (75V), Roble Colorado (97V)						



Intrigue Floating Shelf						
Colors	24"	30"	36"	42"	48"	60"
Castle Grey (U732), Inkwell (U999), Khaki (U702), Naval Grey (U960), Whisper (W1100)						

Alternative Material Floating Shelves (continued)

Decorative Laminate Veneer Floating Shelves

- ◆ Available in all Allure colors, except Bright White with glaze and White Dove with glaze - see pricing chart below.
- ◆ The front and sides of the shelf are made from 3/4" banded DLV material, mitered at the two front corners.
 - ◆ Bright White and White Dove shelves are manufactured using 19mm DLV board; Canadian Grey, Monaco, Hazelnut Elm, Silva, Silver Elm, Skye and White Chocolate shelves are manufactured using DLV center panel material sandwiched to 1/2" MDF, then edgebanded. Interior of sandwiched material is raw MDF.
- ◆ The shelf top and bottom utilizes DLV center panel material.
- ◆ Once the Floating Shelf is fully installed, it is recommended that the shelf be secured to the support frame using headless pins or small finishing nails so the shelf cannot inadvertently slide off of the support frame.
- ◆ Custom lengths available - pricing rounded to next largest published size plus an additional charge.

Support Frame

- ◆ Manufactured using 3/4" thick unselected hardwoods.
- ◆ It is imperative that Floating Shelves be mounted to two or more wall studs using four or more coarse thread screws at least 2-1/2" in length. The 60" Floating Shelf should be mounted to three or more studs.
- Maximum load capacity for the shelf and support frame is 10 pounds per linear foot. While DLV Floating Shelves are built from strong, sturdy materials, the load capacity of these shelves is dependent on upon the quality of the installation screws and whether the shelves are secured into the wall studs. If not secured to two or more studs using two or more high quality installation screws per stud, the shelf may not support the desired weight. Conestoga will not be responsible for shelf failure due to inadequate installation techniques or materials.

Allure DLV Floating Shelf						
Colors	24"	30"	36"	42"	48"	60"
Bright White						
White Dove						
Canadian Grey						
Hazelnut Elm						
Monaco						
White Chocolate						
Silva						
Silver Elm						
Skye						

